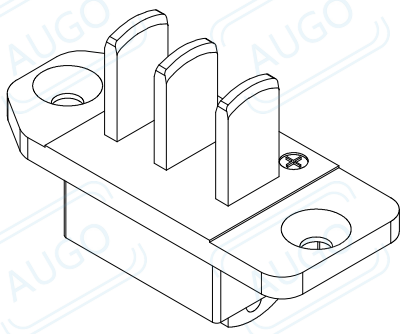
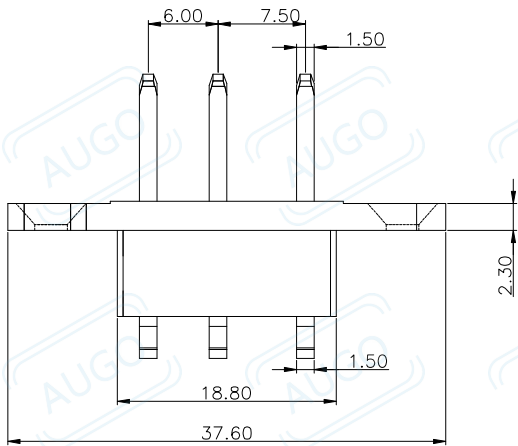


F E D C B A

RoHS
Compliant

SYMBOL	REVISION	APPROVAL	DATE

1



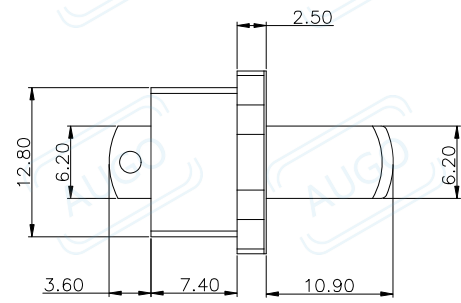
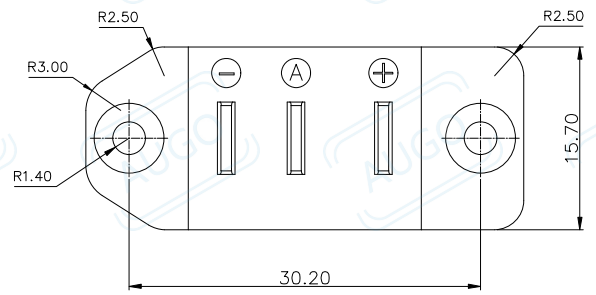
Material
 Insulator: Nylon 66(UL94V-0)
 Contact: phosphor Bronze
 Contact Plated: Ni
 Specification
 Current rating: 15~20A
 Contact Resistance: 30mΩ
 Insulation Resistance: 100MΩ
 Dielectric Voltage: 500V
 Operating Temperature: -40°~85°

2

1

2

3



3

4

4

AUGO

东莞市欧高电子有限公司
 Dongguan Augo Electronics Co., Ltd
 地址: 广东省东莞市黄江镇新市东江路6号富汇创园 电话: 0769-83363791

COPYRIGHT RESERVED, PLEASE DO NOT COPY.

PART NAME		CONNECTOR		DRAWING	Y.C.Zhang	DWG.No.		
PART NO.		AUGO-D61M-A-3P		CHECK	G.C.Chen	REV.	A1	
UNIT : mm	TOLERANCE	UP TO 5	±0.2	APPROVAL	SCALE	DATE	2025-03-18	
	OTHERWISE	ABOVE 5~30	±0.3					
		ABOVE 30	±0.5			PAGE	1 OF 1	
		ANGLE	±3'					

F E D C B A