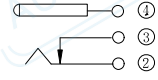
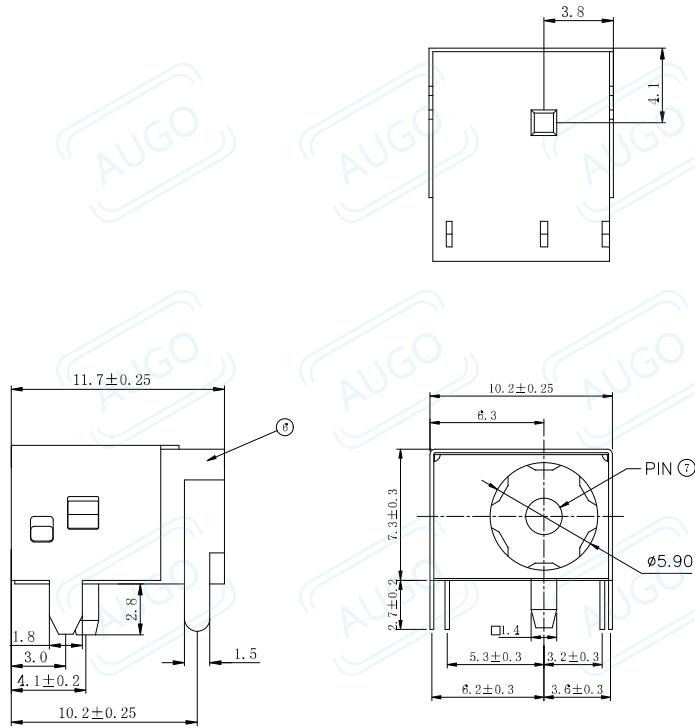


RoHS

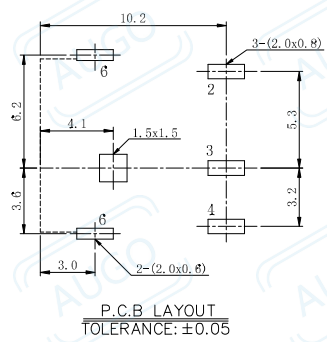
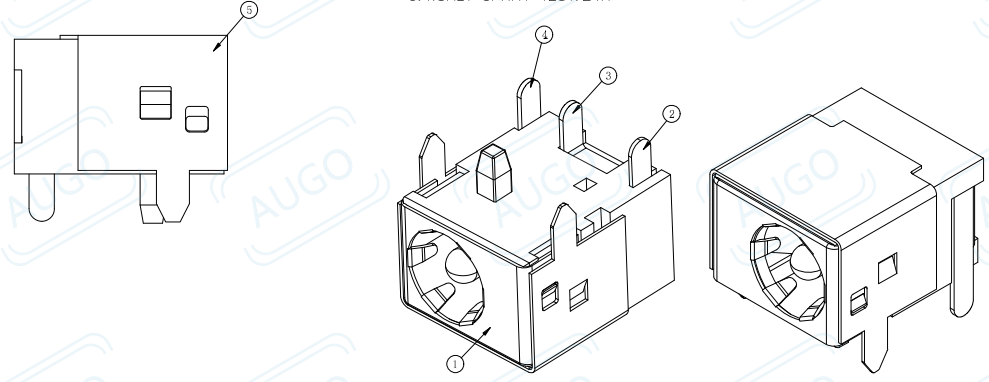
SYMBOL	REV.	REVISION	APPROVAL	DATE

SPECIFICATIONS

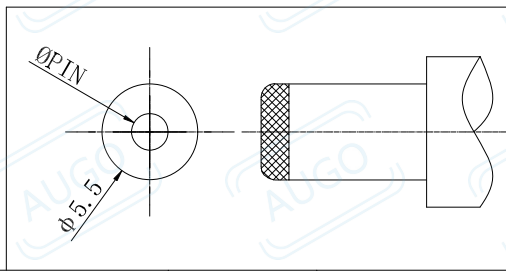
- ELECTRICAL CHARACTERISTICS:
 - RATING: DC 3.0A 20V
 - CONTACT RESISTANCE: 30mΩ MAX(INITIAL)
 - DIELECTRIC WITHSTANDING VOLTAGE: 500V AC FOR ONE MINUTE
 - INSULATION RESISTANCE: 100MΩ MIN, MEASURED BY 500V DC
- MECHANICAL PERFORMANCE
 - OPERATING FORCE : 0.5-3.0kgf
- LIFE TEST
 - ELECTRONICS LIFE TEST 5,000 CYCLES.
- MEASURING CONDITION:
 - TEMPERATURE: FROM 5℃ TO 35℃
 - RELATIVE HUMIDITY: FROM 45% TO 85%RH .
- ENVIRONMENTAL SPECIFICATIONS:
 - HUMIDITY TEST: HUMIDITY 90% TO 95% TEMPERATURE 40 ± 2℃ FOR 96 HOURS.
 - HEAT TEST: TEMPERATURE 70 ± 2℃ (HUMIDITY BELOW 50%)
 - COLD TEST: TEMPERATURE -25 ± 2℃ FOR 96 HOURS.
 - SALT SPRAY TEST: 24H



CIRCUIT



PART NO.	PIN
DC-044A-20	φ2.0
DC-044A-24	φ2.35
DC-044A-25	φ2.5



No.	DESCRIPTION	MATERIAL	QTY	PLATING/COLOR
1	FRONT COVER	SUS	1	PICKLING
2	TERMINAL φ	PHOSPHOROUS COPPER(T=0.3)	1	SILVER PLATED
3	TERMINAL φ	BRASS(T=0.4)	1	SILVER PLATED
4	TERMINAL φ	BRASS(T=0.4)	1	SILVER PLATED
5	TOP COVER	BRASS	1	NICKEL PLATED
6	BASE	PA66 UL94V-0	1	BLACK
7	CENTER PIN	BRASS	1	COPPER-TIN PLATED

DONGGUAN AUGO ELECTRONICS CO.,LTD.

COPYRIGHT RESERVED,PLEASE DO NOT COPY.

PART NAME		DC POWER JACK		DRAWING	Y.C.ZHANG	DWG.No.	PJ-317Z-01	
PART NO.		DC-044A-xx		CHECK	H.Y.ZHU	REV.	A0	
UNIT : mm	TOLERANCE UNLESS OTHERWISE SPECIFIED	X.X ± 0.3	X.XX ± 0.2	ANGLE ±2'	APPROVAL	G.C.CHEN	DATE	2021/01/26
		X.XXX ± 0.1			SCALE	1:1	PAGE	1 OF 1