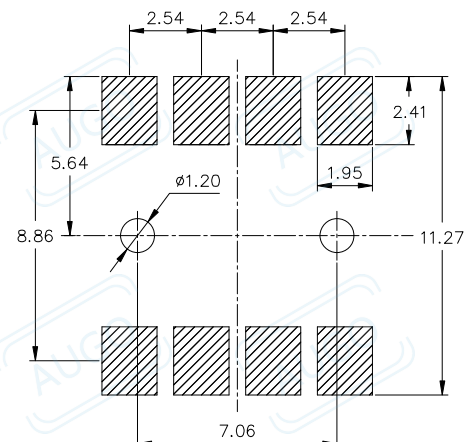
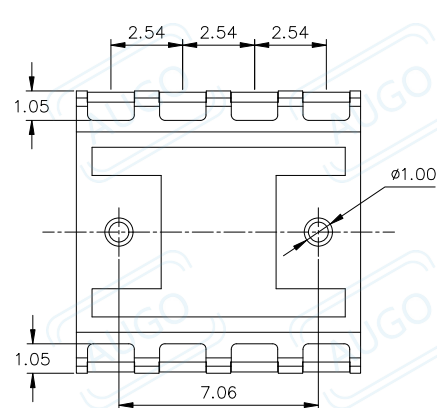
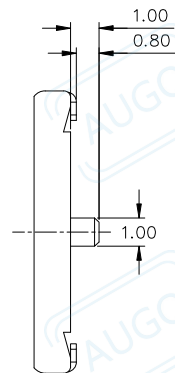
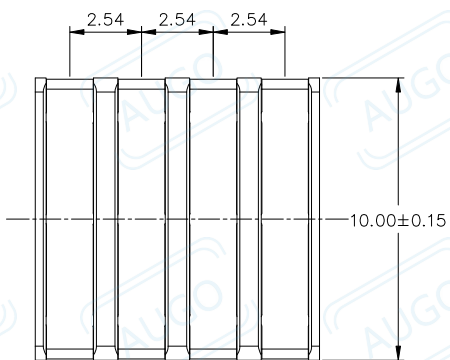
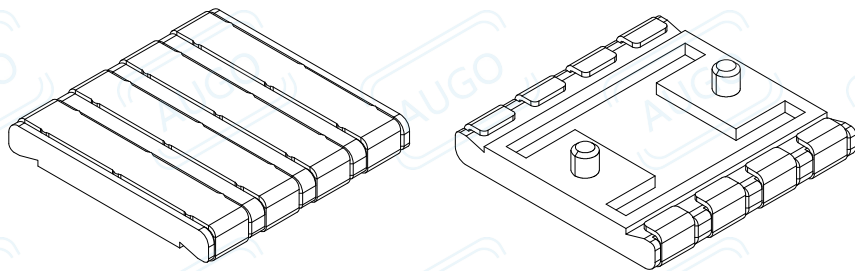
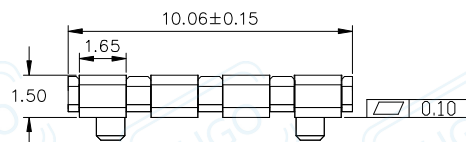


Rohs

REV.	DESCRIPTION	DRAW.	DATE.
A0	NEW RELEASE	Y.C.ZHANG	2025/09/10

Material:
 Insulator : PA9T UL94V-0
 Contact : Brass
 Contact Plated : 3u"Gold plating on contact area
 Specification:
 Current Rating : 3A
 Voltage Rating : 60V DC
 Contact Resistance : 30mΩ
 Insulation Resistance : 500MΩ
 Dielectric Voltage : 500V
 Operating Temperature : -40°~125°
 Electrical Life : 10,000cycles Min.



RECOMMENDED PCB LAYOUT
 TOP VIEW(.XX±0.05)

AUGO

东莞市欧高电子有限公司
 Dongguan Augo Electronics Co.,Ltd
 地址:广东省东莞市黄江镇新市东江路6号富汇创园 电话:0769-83363791

COPYRIGHT RESERVED,PLEASE DO NOT COPY.

REV:	01	UNLESS OTHERWISE SPECIFIED,TOLERANCE: X. ±0.50 X.x ±0.3 X.xx ±0.20 ANGULAR ±2°	TITLE:	2.54 PITCH BATTERY CONNECTOR	DESIGN	G.C.CHEN	DATE	2025/09/10
SIZE:	A4			DRAWING	Y.C.ZHANG	DATE	2025/09/10	
SCALE: 1:1	UNIT: mm	PART NO:	AUGO-BF-25-4PD150P	CHECK	D.J.WANG	DATE	2025/09/10	
SHEET: 1/1				SCALE	1:1	PAGE	1 OF 1	