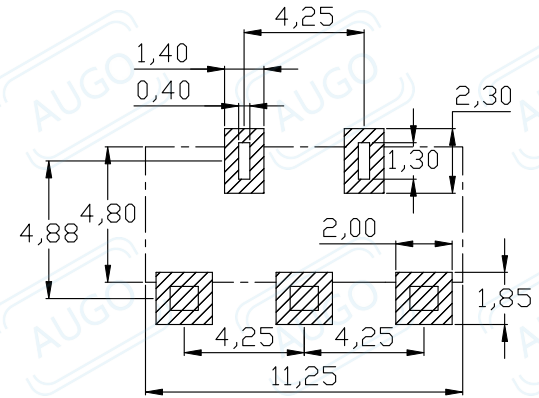
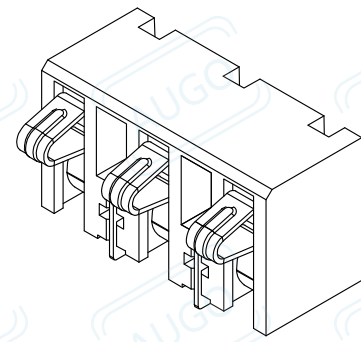
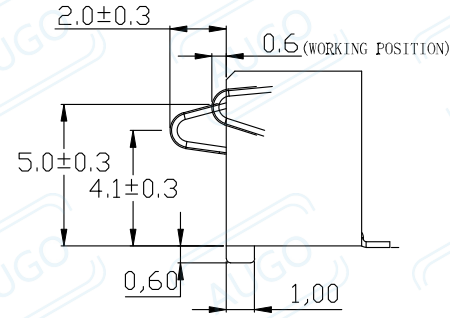
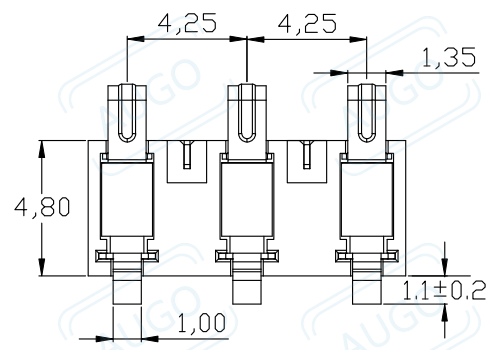
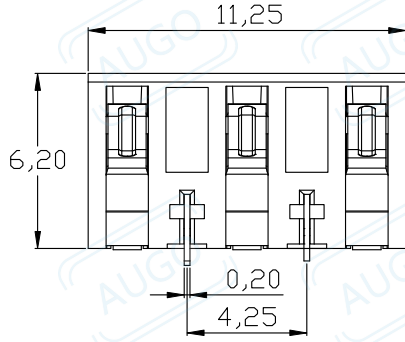
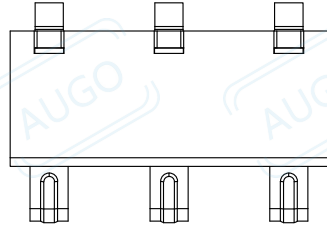


Rohs

REV.	DESCRIPTION	DRAW.	DATE.



RECOMMENDED PCB LAYOUT
TOP VIEW (. XX ± 0.05)

Material:
 Insulator : LCP(UL94V-0)
 Contact : Phosphor Bronze
 Contact Plated : Gold over Nickel or Tin
 Specification:
 Current Rating : 5A
 Voltage Rating : 12V
 Contact Resistance : 50m Ω
 Insulation Resistance : 500M Ω
 Dielectric Voltage : 500V
 Operating Temperature : -40~105°
 Electrical Life : 5000cycles

AUGO

AUGO ELECTRONICS CO.,LTD.

COPYRIGHT RESERVED,PLEASE DO NOT COPY.

REV:	01	UNLESS OTHERWISE SPECIFIED,TOLERANCE:	TITLE:	4.25 PITCH BATTERY CONNECTOR	DESIGN	G.C.CHEN	DATE	
SIZE:	A4				DRAWING	Y.C.ZHANG	DATE	
SCALE:1:1	UNIT:mm	X.	PART NO:	AUGO-BC-425-3PD620	CHECK	D.J.WANG	DATE	
SHEET:1/1	ANGULAR	X.x			SCALE	1:1	PAGE	1 OF 1
		X.xx						
		±0.20						
		±0.15						
		±0.10						
		±2°						