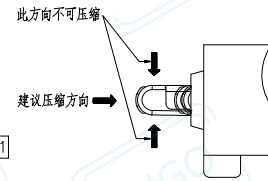
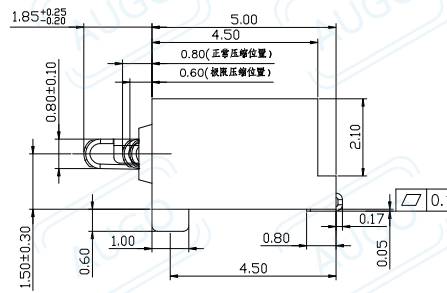
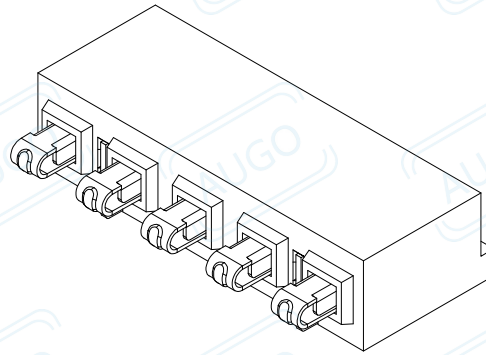
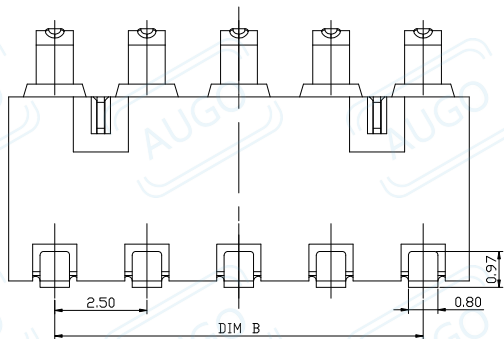
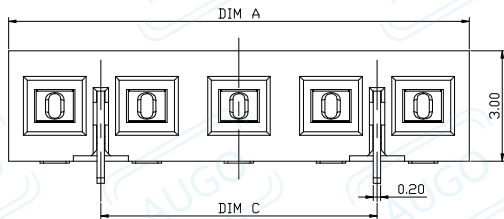
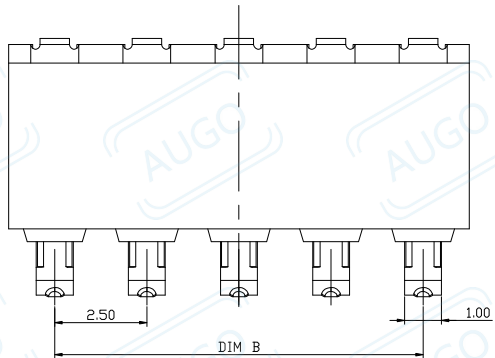


Rohs

| REV. | DESCRIPTION | DRAW. | DATE. |
|------|-------------|----------|------------|
| A0 | NEW RELEASE | G.C.CHEN | 2025/09/20 |



Material:

Insulator : LCP(UL94V-0)

Contact : Phosphor Bronze(C5210)

Anchor tab : Brass(C2680)

Matte tin plated 80u"

Contact Plated : Gold plated 3u" on the contact areas,

Matte tin plated 80u" on the soldering areas,

Ni plated on the other areas.

Specification:

Current Rating : 2A per Pin

Voltage Rating : 12V DC

Contact Resistance : 30mΩ

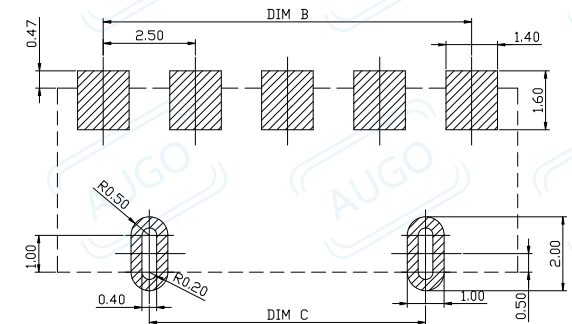
Insulation Resistance : 500MΩ

Dielectric Voltage : 500V

Operating Temperature : -40~85°

Electrical Life : 3000cycles Min.

| | | | |
|-------------------|-------|-------|-------|
| AUGO-BC-25-6PC300 | 15.00 | 12.50 | 10.00 |
| AUGO-BC-25-5PC300 | 12.50 | 10.00 | 7.50 |
| AUGO-BC-25-4PC300 | 10.00 | 7.50 | 5.00 |
| AUGO-BC-25-3PC300 | 7.50 | 5.00 | 2.50 |
| AUGO-BC-25-2PC300 | 5.00 | 2.50 | 0 |
| PART NO, | DIMA | DIMB | DIMC |



RECOMMENDED PCB LAYOUT

TOP VIEW(.XX±0.05)

AUGO

东莞市欧高电子有限公司
Dongguan Augo Electronics Co., Ltd
地址: 广东省东莞市黄江镇新市东江路8号富江创园 电话: 0769-83383791

COPYRIGHT RESERVED, PLEASE DO NOT COPY.

| | | | | | | | | | |
|------------|----------|--|--------|-----------------------------|-------------------|-----------|----------|------------|------------|
| REV: | 01 | UNLESS OTHERWISE SPECIFIED, TOLERANCE: | TITLE: | 2.5 PITCH BATTERY CONNECTOR | DESIGN | G.C.CHEN | DATE | 2025/09/20 | |
| SIZE: | A4 | | X. | ±0.30 | DRAWING | Y.C.ZHANG | DATE | 2025/09/20 | |
| SCALE: 1:1 | UNIT: mm | X.x | ±0.25 | PART NO: | AUGO-BC-25-5PC300 | CHECK | D.J.WANG | DATE | 2025/09/20 |
| SHEET: 1/1 | ANGULAR | X.xx | ±0.15 | | | SCALE | 1:1 | PAGE | 1 OF 1 |
| | | ±2° | | | | | | | |