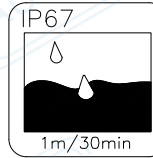


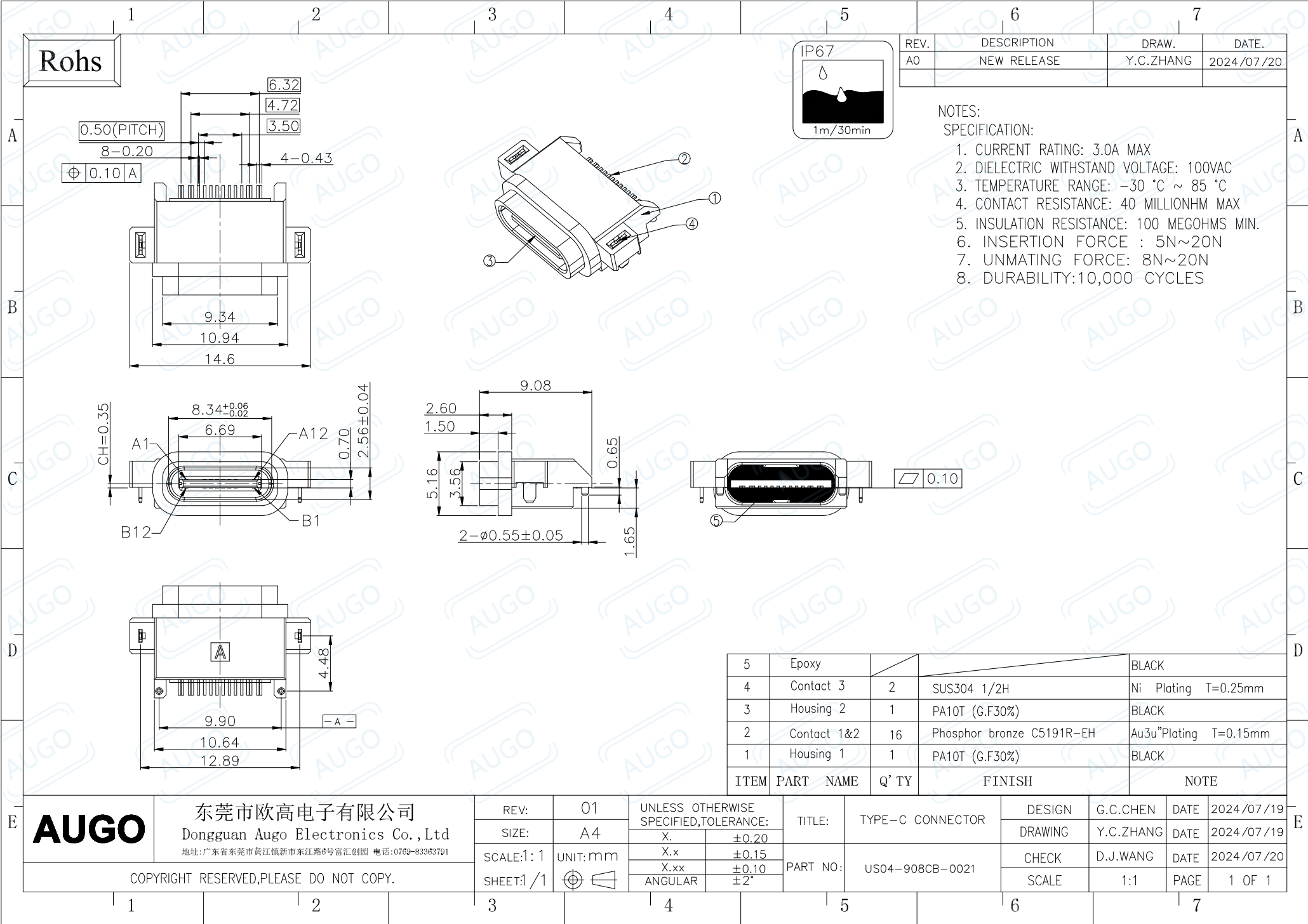
Rohs



REV.	DESCRIPTION	DRAW.	DATE.
A0	NEW RELEASE	Y.C.ZHANG	2024/07/20

NOTES:  
SPECIFICATION:

1. CURRENT RATING: 3.0A MAX
2. DIELECTRIC WITHSTAND VOLTAGE: 100VAC
3. TEMPERATURE RANGE: -30 °C ~ 85 °C
4. CONTACT RESISTANCE: 40 MILLIONHM MAX
5. INSULATION RESISTANCE: 100 MEGOHMS MIN.
6. INSERTION FORCE : 5N~20N
7. UNMATING FORCE: 8N~20N
8. DURABILITY:10,000 CYCLES



ITEM	PART NAME	Q' TY	FINISH	NOTE
5	Epoxy			BLACK
4	Contact 3	2	SUS304 1/2H	Ni Plating T=0.25mm
3	Housing 2	1	PA10T (G.F30%)	BLACK
2	Contact 1&2	16	Phosphor bronze C5191R-EH	Au3u <sup>3</sup> Plating T=0.15mm
1	Housing 1	1	PA10T (G.F30%)	BLACK

**AUGO**

东莞市欧高电子有限公司  
Dongguan Augo Electronics Co., Ltd  
地址: 广东省东莞市黄江镇新市东江路8号富江创园 电话: 0769-83383791

REV: 01  
SIZE: A4  
SCALE: 1:1  
UNIT: mm  
SHEET: 1/1

UNLESS OTHERWISE SPECIFIED, TOLERANCE:  
X. ±0.20  
X.x ±0.15  
X.xx ±0.10  
ANGULAR ±2°

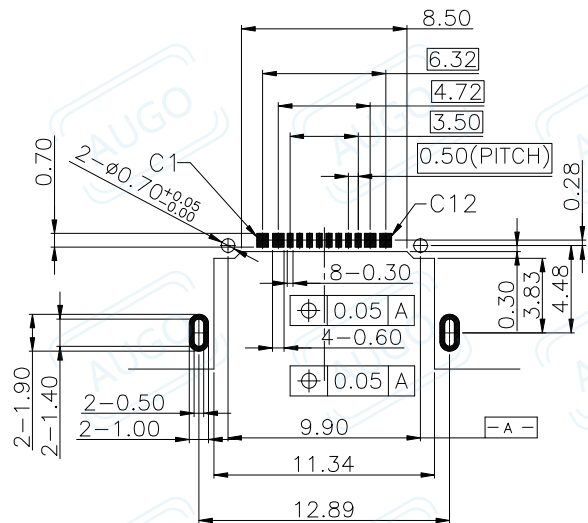
TITLE: TYPE-C CONNECTOR  
PART NO: US04-908CB-0021

DESIGN	G.C.CHEN	DATE	2024/07/19
DRAWING	Y.C.ZHANG	DATE	2024/07/19
CHECK	D.J.WANG	DATE	2024/07/20
SCALE	1:1	PAGE	1 OF 1

COPYRIGHT RESERVED, PLEASE DO NOT COPY.

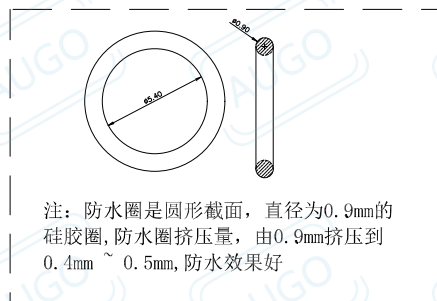
Rohs

REV.	DESCRIPTION	DRAW.	DATE.
A0	NEW RELEASE	Y.C.ZHANG	2024/07/20

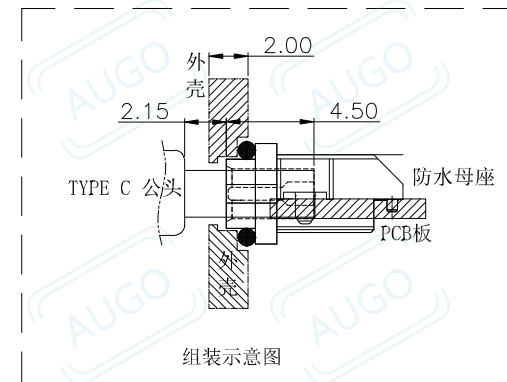


RECOMMENDED PCB LAYOUT(TOP VIEW)

THICKNESS T=1.0mm  
DEFAULT TOLERANCE+/-0.05



注: 防水圈是圆形截面, 直径为0.9mm的硅胶圈, 防水圈挤压量, 由0.9mm挤压到0.4mm ~ 0.5mm, 防水效果好



组装示意图

INTERFACE(FRONT VIEW)

A1	A2	A3	A4	A5	A6	A7	A8	A9	A10	A11	A12
GND			VBUS	CC1	DP1	DN1	SBU1	VBUS			GND
GND			VBUS	SBU2	DN2	DP2	CC2	VBUS			GND
B12	B11	B10	B9	B8	B7	B6	B5	B4	B3	B2	B1

PIN ASSIGNMENT

PIN NO.	A1&B12	A4&B9	B8	A5	B7	A6	A7	B6	A8	B5	A9&B4	A12&B1
SIGNAL NAME	GND	VBUS	SBU2	CC1	DN2	DP1	DN1	DP2	SBU1	CC2	VBUS	GND
PCB PAD NO.	C1	C2	C3	C4	C5	C6	C7	C8	C9	C10	C11	C12

**AUGO**

东莞市欧高电子有限公司  
Dongguan Augo Electronics Co., Ltd  
地址: 广东省东莞市黄江镇新市东江路8号富汇创园 电话: 0769-83383791

COPYRIGHT RESERVED, PLEASE DO NOT COPY.

REV:	01
SIZE:	A4
SCALE: 1:1	UNIT: mm
SHEET: 1/1	

UNLESS OTHERWISE SPECIFIED, TOLERANCE:	
X.	±0.20
X.x	±0.15
X.xx	±0.10
ANGULAR	±2°

TITLE:	TYPE-C CONNECTOR
PART NO.:	US04-908CB-0021

DESIGN	G.C.CHEN	DATE	2024/07/19
DRAWING	Y.C.ZHANG	DATE	2024/07/19
CHECK	D.J.WANG	DATE	2024/07/20
SCALE	1:1	PAGE	1 OF 1