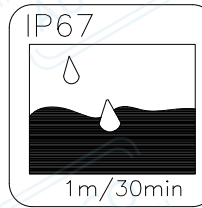
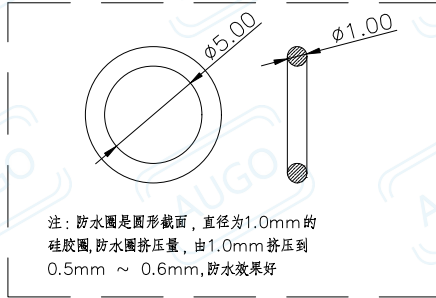
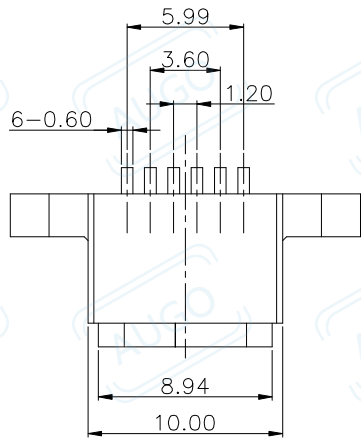


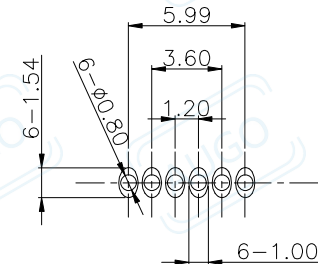
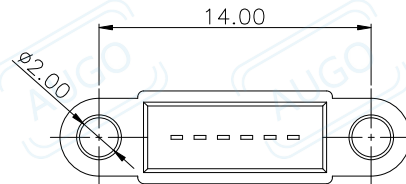
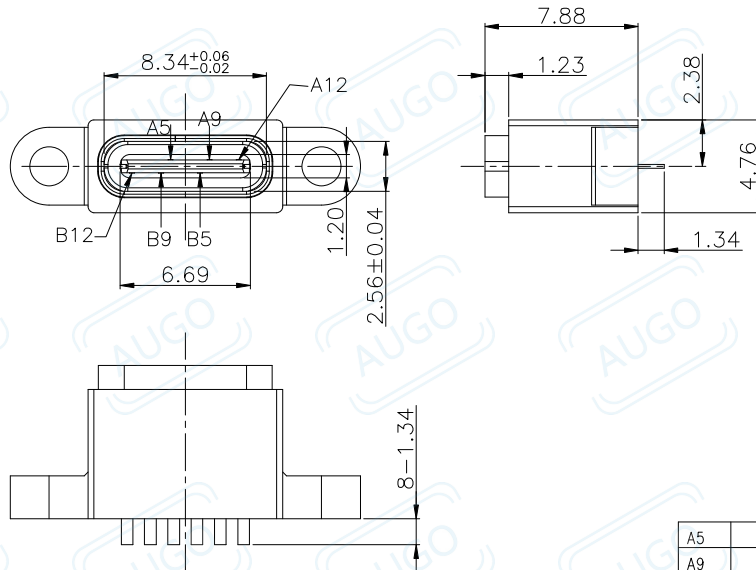
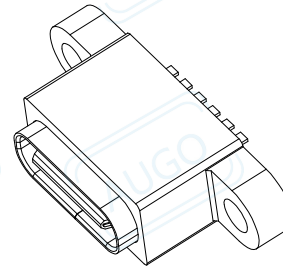
Rohs



REV.	DESCRIPTION	DRAW.	DATE.
A0	NEW RELEASE	Y.C.ZHANG	2024/07/20

SPECIFICATION:

- CURRENT RATING: 3.0A MAX
- DIELECTRIC WITHSTAND VOLTAGE: 100VAC
- TEMPERATURE RANGE: -30 °C ~ 85 °C
- CONTACT RESISTANCE: 40 MILLIONHM MAX
- INSULATION RESISTANCE: 100 MEGOHMS MIN.
- INSERTION FORCE : 5N~20N
- UNMATING FORCE: 8N~20N
- DURABILITY:10,000 CYCLES
- WATER PROOFNESS:THIS PRODUCT IS BASED ON IPX8.



Recommended P.C.B. Layout
Unspecified tolerance: ± 0.05
(Top view)

A5	CC1	B12	GND
A9	VBUS	B9	VBUS
A12	GND	B5	CC2
PIN	SIGNAL NAME	PIN	SIGNAL NAME

5	Shell2	1	SUS301 Ni Plating T=0.20mm	Ni: 40~120u";
4	Shell1	1	SUS301 Ni Plating T=0.25mm	Ni: 40~120u";
3	Housing2	1	PA10T(G.F30%)	
2	Contact	5	Phosphor bronze C5210R-EH Au/Ni Plating T=0.20mm	Ni: 40~160u"; Au: CONTACT AREA: 3u", OTHER AREA: G/F
1	Housing	1	PA10T (G.F30%)	
ITEM	PART NAME	Q'TY	FINISH	NOTE

AUGO

东莞市欧高电子有限公司
Dongguan Augo Electronics Co., Ltd
地址:广东省东莞市黄江镇新市东江路8号富江创园 电话:0769-83383791

REV: O1
SIZE: A4
SCALE: 1:1
SHEET: 1/1
UNIT: mm

UNLESS OTHERWISE SPECIFIED, TOLERANCE:
X. ± 0.20
X.x ± 0.15
X.xx ± 0.10
ANGULAR $\pm 2^\circ$

TITLE: TYPE-C CONNECTOR
PART NO: US04-788HX-0038

DESIGN	G.C.CHEN	DATE	2024/07/19
DRAWING	Y.C.ZHANG	DATE	2024/07/19
CHECK	D.J.WANG	DATE	2024/07/20
SCALE	1:1	PAGE	1 OF 1

COPYRIGHT RESERVED, PLEASE DO NOT COPY.